

auto electrical parts

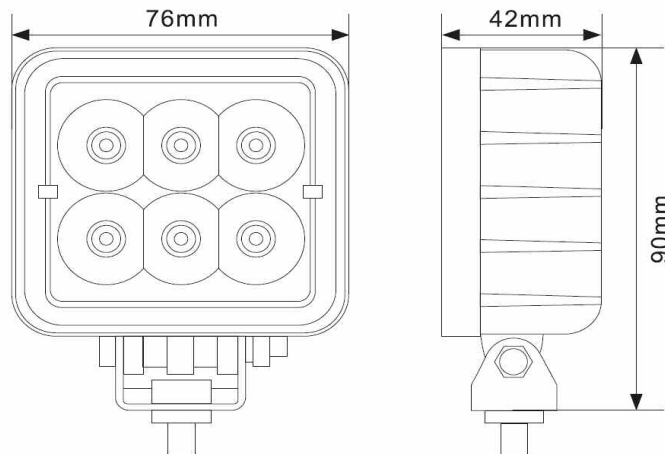
Technical Information Sheet

Part No. 0-420-78

A powerful 6 x 3 watt 12/24 volt LED work lamp.
Black powder coated die cast aluminium case, polycarbonate lens, supplied with stainless steel adjustable bracket. Protected to IP68. l 76 x w 42 x h 90mm.



Technical Drawing (not to scale)



Specification

Type	LED work lamp
Voltage	10-40 VDC
Current Draw	1.5A @ 12VDC
LEDs	6 x 3W CREE LEDs
Light intensity	approx. 1500 lumens
Color Temperature	6000K
Beam Angle (Degrees)	60
Housing	Die cast aluminum
Bracket	Stainless steel
Lens	Polycarbonate
Degree of protection	IP68
Operating temperature	-40°C to +80°C
Weight	310g
Dimensions	l 76 x w 42 x h 90mm

The information contained in this document is correct to the best of our knowledge at the time of printing. However, specifications may change at any time without notice.